

Specification sheet LX 621

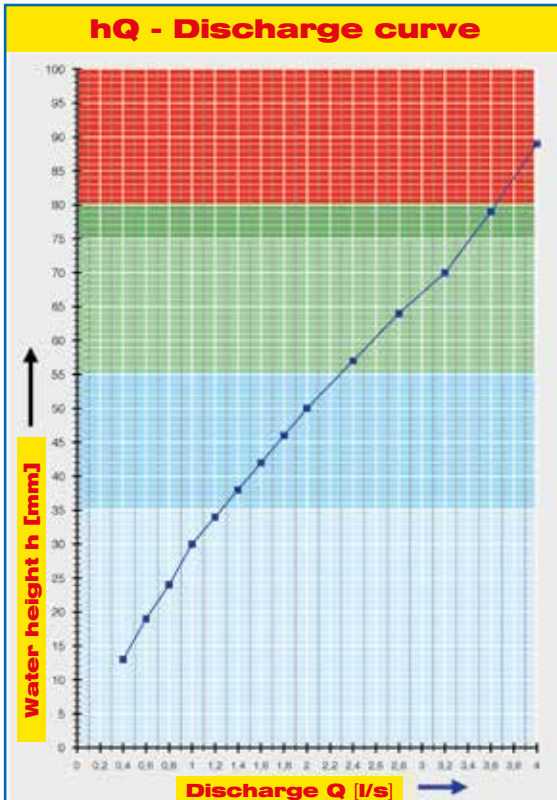
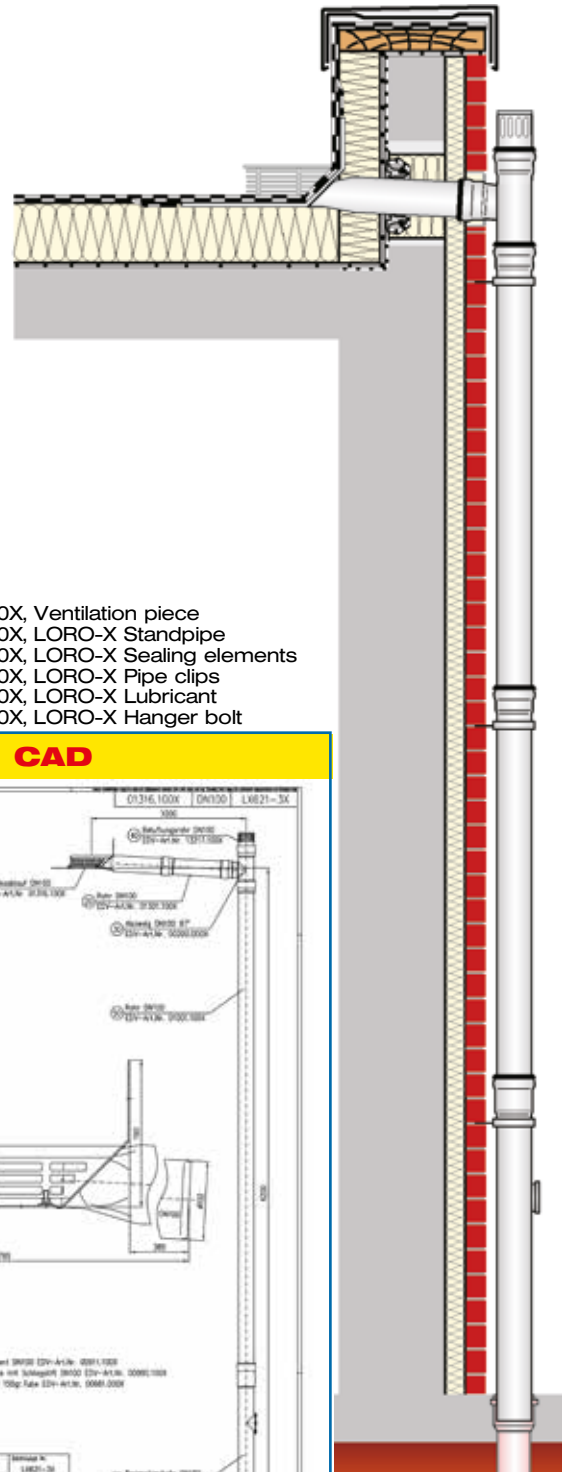
**Parapet drainage system
Series 43 Parapet-Direct
for small roof areas**

Main drainage	
Gravity flow	
Silent	
Discharge rate:	1.2 l/s
Water height:	35 mm
Roof penetration:	0 mm
Diameter:	DN 100
LX-Number:	LX 621
Weir height:	0 mm
Drain:	ventilated
Downpipe:	ventilated
Downpipe height:	4.2 m
Drainage:	in sewer
Flange form:	bonding flange

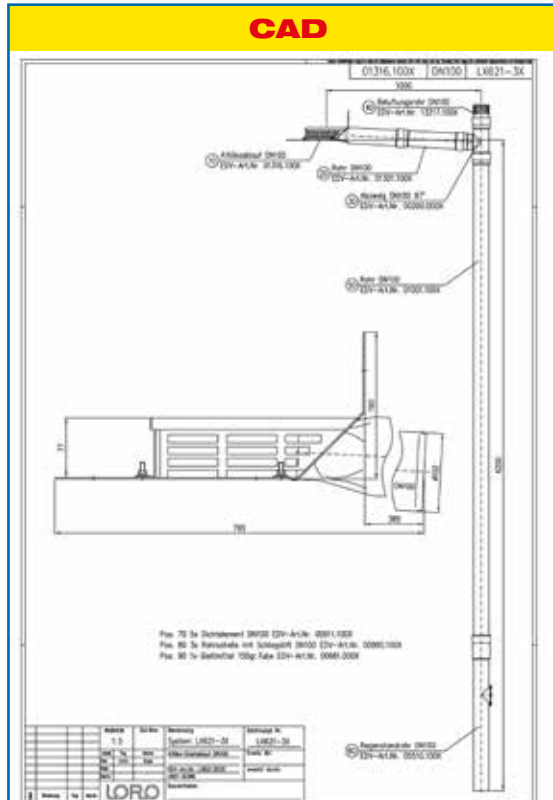
LX 621 Piece list

- 1 x Art.-No. **choose drain on page two!**
- 1 x Art.-No. 01301.100X, LORO-X Pipe with one socket
- 1 x Art.-No. 13235.100X, LORO Sliding flange
- 1 x Art.-No. 00200.DD0X, LORO-X Branch
- 1 x Art.-No. 01001.100X, LORO-X Pipe with one socket

- 1 x Art.-No. 13217.100X, Ventilation piece
- 1 x Art.-No. 05510.100X, LORO-X Standpipe
- 5 x Art.-No. 00911.100X, LORO-X Sealing elements
- 3 x Art.-No. 00975.100X, LORO-X Pipe clips
- 1 x Art.-No. 00986.000X, LORO-X Lubricant
- 3 x Art.-No. 09604.200X, LORO-X Hanger bolt



System power



System shape

Water height	mm	5	10	15	20	25	30	35	40	45	50	55	60	65	70	75
Discharge	l/s			0.4	0.6	0.8	1.0	1.2	1.5	1.7	2	2.3	2.6	2.8	3.2	3.4
Silent																

Chosse drain for piece list on page one!

DN 100

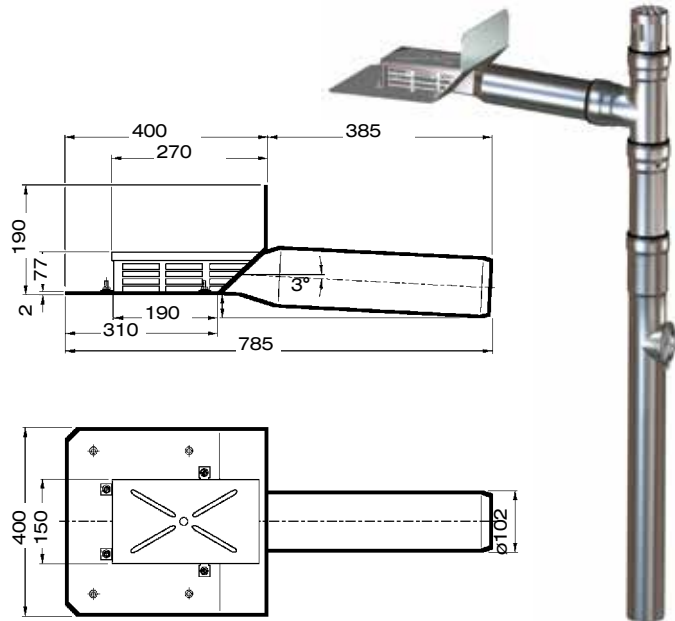
LX621-3X

Series 43

Drain Art.-No. 01316.100X

Weight: 5.1 kg

with bonding flange
for bituminous roofing sheets

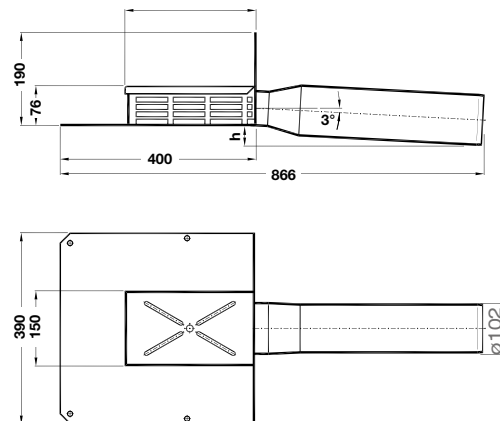


LX621-21X

Series 43

Drain Art.-No. 01331.100X

with bonding flange 90 degree
for liquid plastic

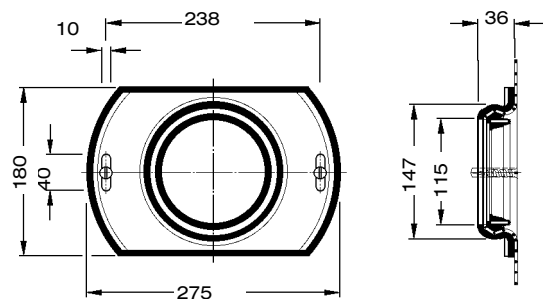


Sliding flange for LORO parapet direct drains

with pre-installed connection sleeve for vapor barrier made of bituminous roofing sheets, made of galvanized steel, including fastening screws

Art.-No. 13235.100X

Weight: 1.7 kg



Trace heating: Lorowerk recommends to check all drains and pipes with regard to their frost-sensibility. Where necessary, these parts should be equipped with a trace heating.